

# Important Safety Features of The Shademobile Rolling Umbrella Base

- **THE WHEELS ARE NOT EXPOSED.**

This is very important for use in commercial applications as well as for residential use. This prevents direct contact with the wheels.

- **THE LOCKING WHEEL PEDALS ARE IN A FIXED POSITION.**

The locking wheel pedals are in a fixed position so they are always accessible. They do not swivel under the Base which would make them hard to find and inaccessible.

- **THE LOCKING WHEELS HAVE BUILT-IN RESISTANCE.**

The Locking Wheels have built-in resistance to movement even in the unlocked position. While the Shademobile should be locked at all times, we slightly restrict the movement of the locking wheels even in the unlocked position to help prevent unintentional movement.

- **THE CENTER POST HAS 2 SIDE KNOBS.**

The Center Post has 2 side knobs directly opposite each other to provide the maximum clamping pressure on the umbrella pole.

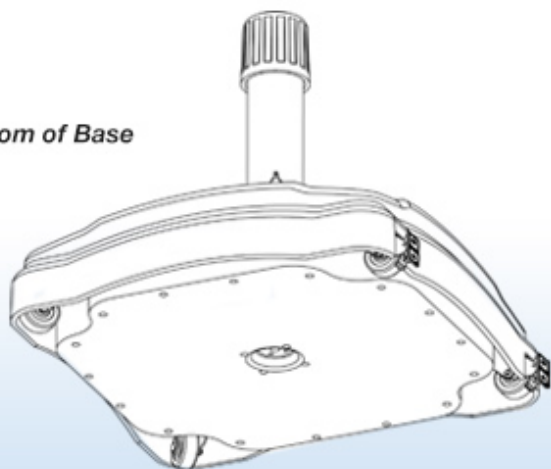
- **THE CORNERS OF THE SHADEMOBILE ARE ROUNDED.**

The body of the Base is rounded with no sharp corners.



*Locking Wheels*

*Bottom of Base*



*Top of Base*

