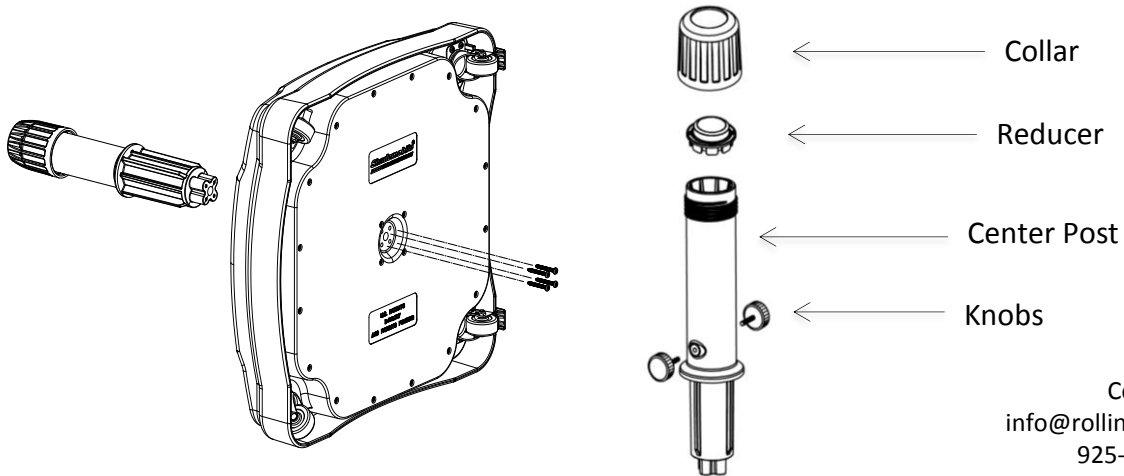


# SHADEMOBILE®

## REPLACING THE CENTER POST

1. Tip the Shademobile over so it is resting on a soft cloth or towel.
2. Remove the 4 screws that secure the Center Post and remove the old post.
3. Reinstall the new Center Post with the 4 screws provided.



Contact:  
info@rollingumbrellas.com  
925-820-7800

### **Optional Velcro Wrap**

After choosing the correct Reducer, if your umbrella pole is still loose, wrap a piece of all-weather Velcro (the hook side) around your umbrella pole where it contacts the Reducer.

With a pencil, draw a line on the umbrella pole where indicated. Remove pole. Using the line as a guide, attach Velcro as shown. Cut length to fit.

Re-install umbrella pole into Center Post.

